

ÀNIMA T-3515

suspension

Date	Type
Project	
Location	
Model #	Quantity
Specifier	

Description

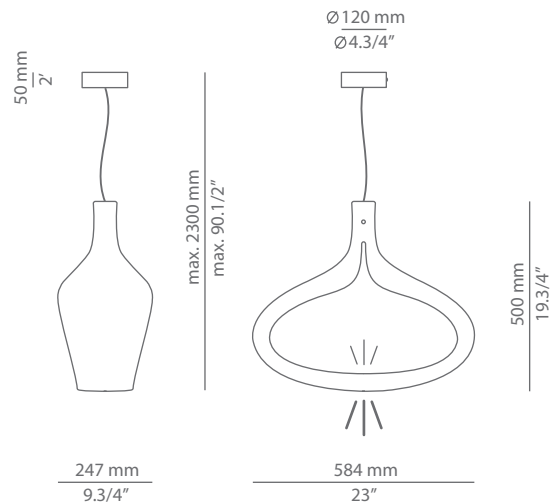
Pendant made of polyurethane foam.
 Direct light and a soft decorative indirect light.
 Black textile cable.



Pictures above might not show the specified dimensions or material. They are for illustration purposes only.

Ordering information

Product Code	Lamp	Finish
T-3515-M	LED 10W (3000K / Ang 120° / >80 CRI / 350mA) A+ Universal Voltage (included) / Typ* 1073 lumens Dimmable Triac	74 WH L White CUSTOM



SPECIAL REQUIREMENTS

Custom finishes and versions

We offer custom RAL finishes.

Alternate lamping and versions available for projects. Consult our offices.

Special instructions
