

# LUCK

T-2443C

## suspension

Date	Type
Project	
Location	
Model #	Quantity
Specifier	

### Description

Metallic pendant with direct and indirect light.  
 Transparent glass ball shade, diagonal opening on the bottom.  
 Adjustable height. Can be used in sloped ceilings.

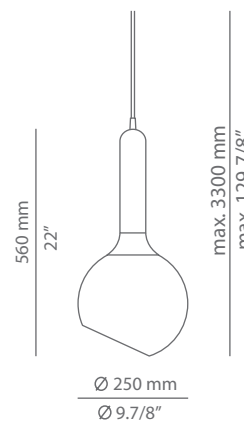


Pictures above might not show the specified dimensions or material. They are for illustration purposes only.

### Ordering information

Code	Lamp
■ T-2443C	■ LED or Fluor. up to 26W / Medium base / 120V (not included) Dimmable when using dim. lamps  ■ Hal. up to 100W / G40 / Medium base / 120V (not included) Dimmable

Finish	
■ 37 NI	Nickel
■ 27 WH	White
■ CUSTOM	



## SPECIAL REQUIREMENTS

### Custom versions

We offer custom plated or RAL finishes.

Alternate lamping and sizes available for projects.

Standard compositions bellow, other compositions available with multiple canopies. Consult our offices.

### Special instructions

---



---



---

# LUCK T-2443

suspension

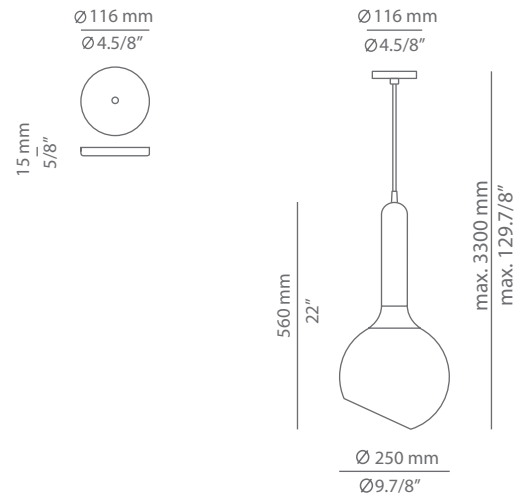
<b>Date</b>	<b>Type</b>
<b>Project</b>	
<b>Location</b>	
<b>Model #</b>	<b>Quantity</b>
<b>Specifier</b>	

## Ordering information

Code	Lamp	Canopy	Finish
■ T-2443	■ LED or Fluor. up to 26W / Medium base / 120V (not included) Dimmable when using dim. lamps  ■ Hal. up to 100W / G40 / Medium base / 120V (not included) Dimmable	■ 26 BLK Black ■ 71 WH White	■ 37 NI Nickel ■ 27 WH White ■ CUSTOM

## Product includes

Code	Description
■ 113416XX0	■ 1 Canopy for 1 single pendant
■ T-2443C	■ 1 Luck pendant



## SPECIAL REQUIREMENTS

### Custom versions

We offer custom plated or RAL finishes.

Alternate lamping and sizes available for projects.

Standard compositions bellow, other compositions available with multiple canopies. Consult our offices.

### Special instructions

---



---



---

# LUCK T-2443C

suspension

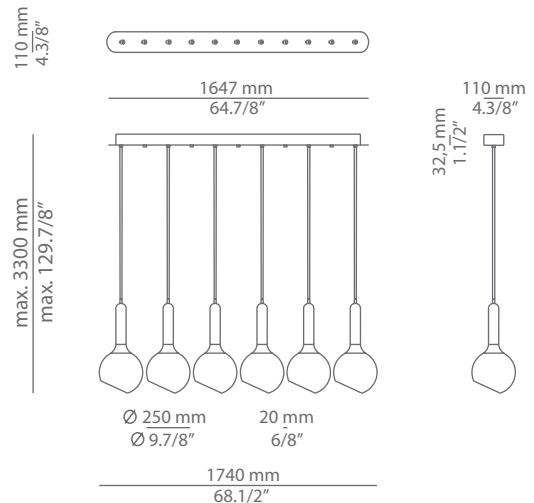
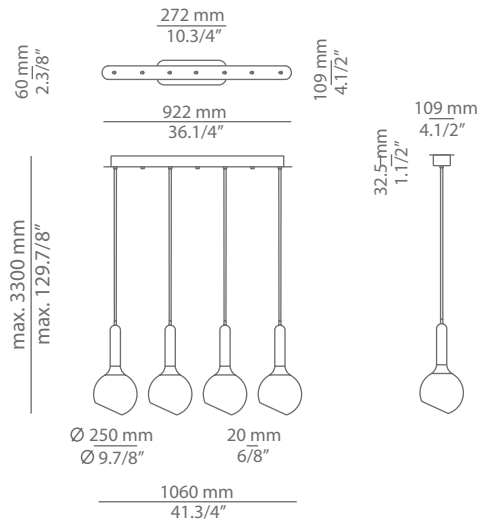
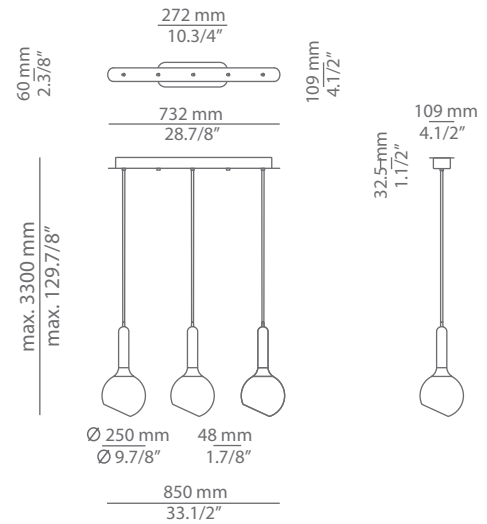
<b>Date</b>	<b>Type</b>
<b>Project</b>	
<b>Location</b>	
<b>Model #</b>	<b>Quantity</b>
<b>Specifier</b>	

## Many possible configurations with T-2443C

Code	Composition includes				
L73.3 luck	<ul style="list-style-type: none"> <li>1 linear canopy 113415XX1</li> <li>3 units of T-2443C</li> </ul>				
	<table border="0"> <tr> <td><b>Canopy</b></td> <td><b>Finish</b></td> </tr> <tr> <td> <ul style="list-style-type: none"> <li>26 BLK Black</li> <li>71 WH White</li> </ul> </td> <td> <ul style="list-style-type: none"> <li>37 NI Nickel</li> <li>27 WH White</li> <li>CUSTOM</li> </ul> </td> </tr> </table>	<b>Canopy</b>	<b>Finish</b>	<ul style="list-style-type: none"> <li>26 BLK Black</li> <li>71 WH White</li> </ul>	<ul style="list-style-type: none"> <li>37 NI Nickel</li> <li>27 WH White</li> <li>CUSTOM</li> </ul>
<b>Canopy</b>	<b>Finish</b>				
<ul style="list-style-type: none"> <li>26 BLK Black</li> <li>71 WH White</li> </ul>	<ul style="list-style-type: none"> <li>37 NI Nickel</li> <li>27 WH White</li> <li>CUSTOM</li> </ul>				

Code	Composition includes				
L92.4 luck	<ul style="list-style-type: none"> <li>1 linear canopy 113415XX3U</li> <li>4 units of T-2443C</li> </ul>				
	<table border="0"> <tr> <td><b>Canopy</b></td> <td><b>Finish</b></td> </tr> <tr> <td> <ul style="list-style-type: none"> <li>26 BLK Black</li> <li>71 WH White</li> </ul> </td> <td> <ul style="list-style-type: none"> <li>37 NI Nickel</li> <li>27 WH White</li> <li>CUSTOM</li> </ul> </td> </tr> </table>	<b>Canopy</b>	<b>Finish</b>	<ul style="list-style-type: none"> <li>26 BLK Black</li> <li>71 WH White</li> </ul>	<ul style="list-style-type: none"> <li>37 NI Nickel</li> <li>27 WH White</li> <li>CUSTOM</li> </ul>
<b>Canopy</b>	<b>Finish</b>				
<ul style="list-style-type: none"> <li>26 BLK Black</li> <li>71 WH White</li> </ul>	<ul style="list-style-type: none"> <li>37 NI Nickel</li> <li>27 WH White</li> <li>CUSTOM</li> </ul>				

Code	Composition includes				
L165.6 luck	<ul style="list-style-type: none"> <li>1 linear canopy 113415XX7</li> <li>6 units of T-2443C</li> </ul>				
	<table border="0"> <tr> <td><b>Canopy</b></td> <td><b>Finish</b></td> </tr> <tr> <td> <ul style="list-style-type: none"> <li>26 BLK Black</li> <li>71 WH White</li> </ul> </td> <td> <ul style="list-style-type: none"> <li>37 NI Nickel</li> <li>27 WH White</li> <li>CUSTOM</li> </ul> </td> </tr> </table>	<b>Canopy</b>	<b>Finish</b>	<ul style="list-style-type: none"> <li>26 BLK Black</li> <li>71 WH White</li> </ul>	<ul style="list-style-type: none"> <li>37 NI Nickel</li> <li>27 WH White</li> <li>CUSTOM</li> </ul>
<b>Canopy</b>	<b>Finish</b>				
<ul style="list-style-type: none"> <li>26 BLK Black</li> <li>71 WH White</li> </ul>	<ul style="list-style-type: none"> <li>37 NI Nickel</li> <li>27 WH White</li> <li>CUSTOM</li> </ul>				

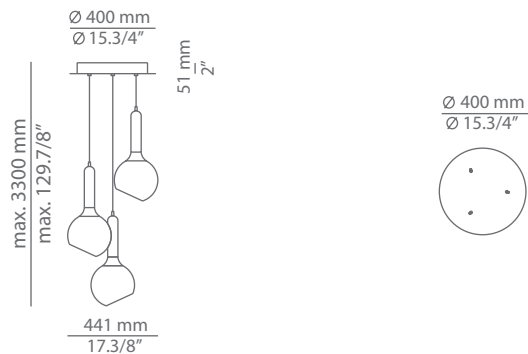


# LUCK T-2443C

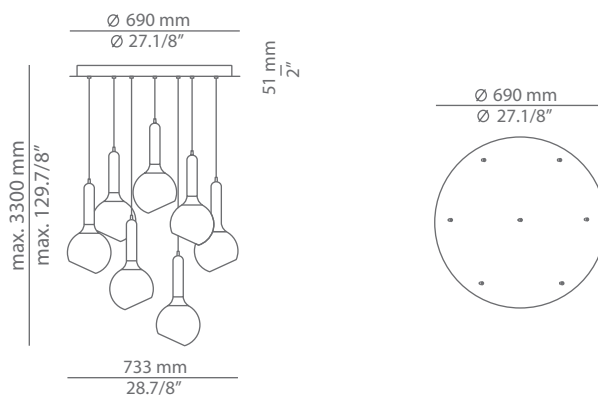
suspension

<b>Date</b>	<b>Type</b>
<b>Project</b>	
<b>Location</b>	
<b>Model #</b>	<b>Quantity</b>
<b>Specifier</b>	

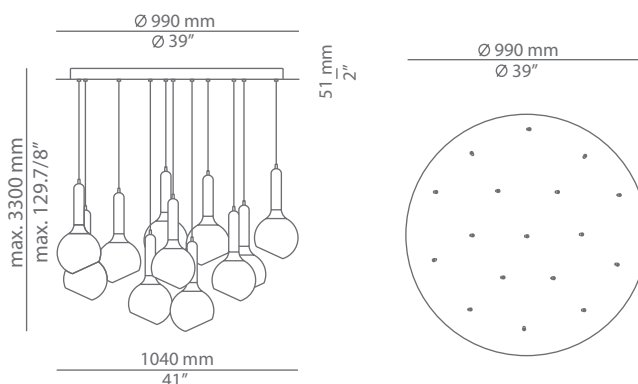
Code	Composition includes																
<ul style="list-style-type: none"> <li>■ R40.3 luck</li> </ul>	<ul style="list-style-type: none"> <li>■ 1 round canopy 113415XX6</li> <li>■ 3 units of T-2443C</li> </ul> <table border="1" style="width: 100%; margin-top: 10px;"> <thead> <tr> <th colspan="2">Canopy</th> <th colspan="2">Finish</th> </tr> </thead> <tbody> <tr> <td>■ 26 BLK</td> <td>Black</td> <td>■ 37 NI</td> <td>Nickel</td> </tr> <tr> <td>■ 71 WH</td> <td>White</td> <td>■ 27 WH</td> <td>White</td> </tr> <tr> <td></td> <td></td> <td>■ CUSTOM</td> <td></td> </tr> </tbody> </table>	Canopy		Finish		■ 26 BLK	Black	■ 37 NI	Nickel	■ 71 WH	White	■ 27 WH	White			■ CUSTOM	
Canopy		Finish															
■ 26 BLK	Black	■ 37 NI	Nickel														
■ 71 WH	White	■ 27 WH	White														
		■ CUSTOM															



Code	Composition includes																
<ul style="list-style-type: none"> <li>■ R70.7 luck</li> </ul>	<ul style="list-style-type: none"> <li>■ 1 round canopy 113415XX4</li> <li>■ 7 units of T-2443C</li> </ul> <table border="1" style="width: 100%; margin-top: 10px;"> <thead> <tr> <th colspan="2">Canopy</th> <th colspan="2">Finish</th> </tr> </thead> <tbody> <tr> <td>■ 26 BLK</td> <td>Black</td> <td>■ 37 NI</td> <td>Nickel</td> </tr> <tr> <td>■ 71 WH</td> <td>White</td> <td>■ 27 WH</td> <td>White</td> </tr> <tr> <td></td> <td></td> <td>■ CUSTOM</td> <td></td> </tr> </tbody> </table>	Canopy		Finish		■ 26 BLK	Black	■ 37 NI	Nickel	■ 71 WH	White	■ 27 WH	White			■ CUSTOM	
Canopy		Finish															
■ 26 BLK	Black	■ 37 NI	Nickel														
■ 71 WH	White	■ 27 WH	White														
		■ CUSTOM															



Code	Composition includes																
<ul style="list-style-type: none"> <li>■ R100.11 luck</li> </ul>	<ul style="list-style-type: none"> <li>■ 1 round canopy 113415XX5</li> <li>■ 11 units of T-2443C</li> <li>■ Add up to 6 additional Luck</li> </ul> <table border="1" style="width: 100%; margin-top: 10px;"> <thead> <tr> <th colspan="2">Canopy</th> <th colspan="2">Finish</th> </tr> </thead> <tbody> <tr> <td>■ 26 BLK</td> <td>Black</td> <td>■ 37 NI</td> <td>Nickel</td> </tr> <tr> <td>■ 71 WH</td> <td>White</td> <td>■ 27 WH</td> <td>White</td> </tr> <tr> <td></td> <td></td> <td>■ CUSTOM</td> <td></td> </tr> </tbody> </table>	Canopy		Finish		■ 26 BLK	Black	■ 37 NI	Nickel	■ 71 WH	White	■ 27 WH	White			■ CUSTOM	
Canopy		Finish															
■ 26 BLK	Black	■ 37 NI	Nickel														
■ 71 WH	White	■ 27 WH	White														
		■ CUSTOM															



Code	Composition includes																
<ul style="list-style-type: none"> <li>■ M5 luck</li> </ul>	<ul style="list-style-type: none"> <li>■ 1 multipoint canopy 113415XX2</li> <li>■ 5 units of T-2443C</li> <li>■ 5 ceiling holders</li> <li>■ Add up to 2 additional Luck</li> </ul> <table border="1" style="width: 100%; margin-top: 10px;"> <thead> <tr> <th colspan="2">Canopy</th> <th colspan="2">Finish</th> </tr> </thead> <tbody> <tr> <td>■ 26 BLK</td> <td>Black</td> <td>■ 37 NI</td> <td>Nickel</td> </tr> <tr> <td>■ 71 WH</td> <td>White</td> <td>■ 27 WH</td> <td>White</td> </tr> <tr> <td></td> <td></td> <td>■ CUSTOM</td> <td></td> </tr> </tbody> </table>	Canopy		Finish		■ 26 BLK	Black	■ 37 NI	Nickel	■ 71 WH	White	■ 27 WH	White			■ CUSTOM	
Canopy		Finish															
■ 26 BLK	Black	■ 37 NI	Nickel														
■ 71 WH	White	■ 27 WH	White														
		■ CUSTOM															

