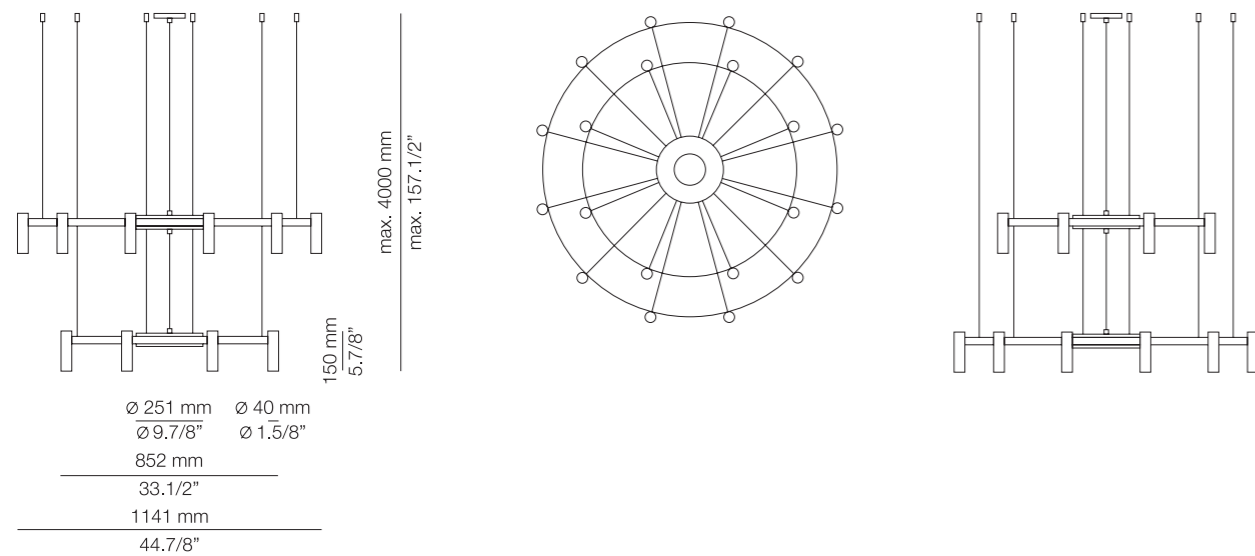




(ENG) The chandelier re-imagined as a stylized wheel, with cylindrical lamps which can project light up and down. Laverd is offered in two sizes that can be combined or vertically connected. A central element suspended from steel cables permits the creation of different shapes. (ESP) Laverd da vida a una lámpara de araña, reinterpretación estilizada de una rueda con pantallas cilíndricas que proyectan la luz en ambos sentidos. Un elemento central dinámico permite la creación de diferentes formas conectando y combinando lámparas de dos diámetros verticalmente.

LAVARD R11.1S1M



LAVERD

T-3805

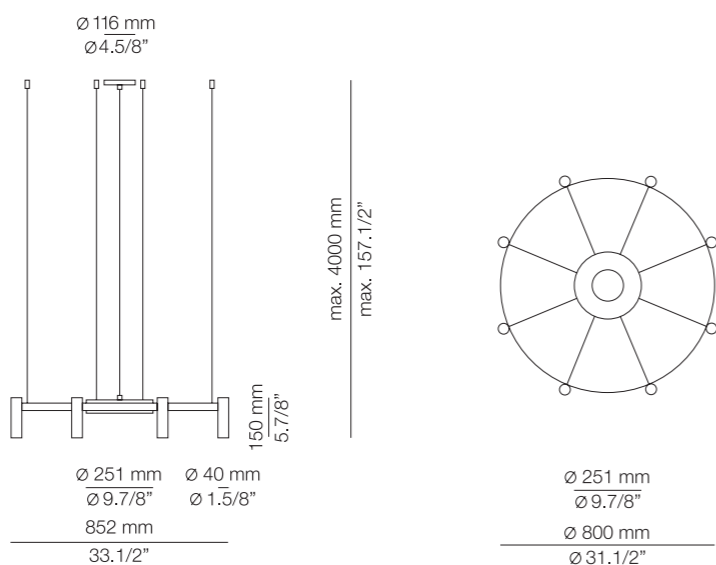
LED 16x3W
 (2700K / Ang.60° / >90CRI / 24V)
 100V - 277V / Typ* 16x300 lumens
 Dimmable 0-10V
 Up and down light

Finish body

- 26 BLK

Finish head

- 26 BLK
- 61 S GLD



T-3806

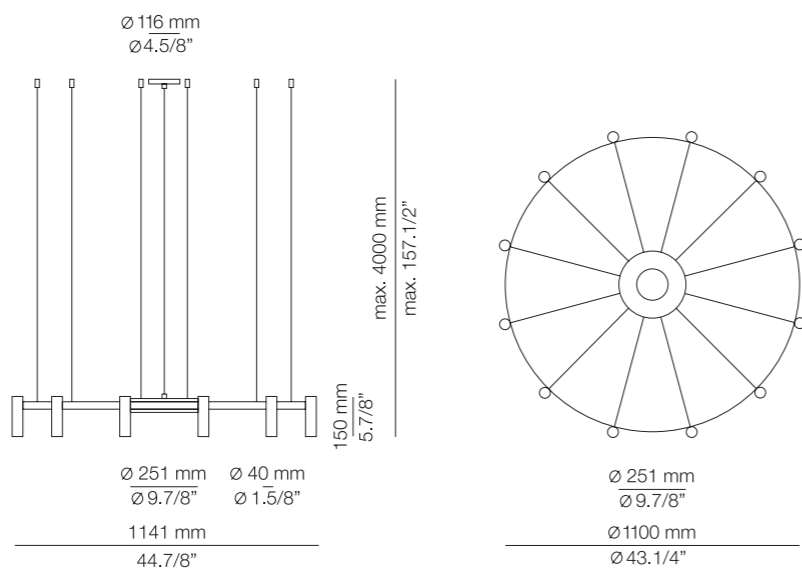
LED 24x3W
 (2700K / Ang.60° / >90CRI / 24V)
 100V - 277V / Typ* 24x300 lumens
 Dimmable 0-10V
 Up and down light

Finish body

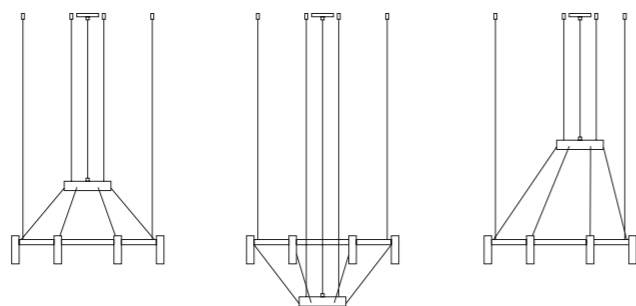
- 26 BLK

Finish head

- 26 BLK
- 61 S GLD



Possible shapes



Additional

We offer custom finishes, sizes, and alternate lamping for projects.

Photographs may show non-standard products

