

PILA T-3555

suspension lamp

Date	Type
Project	
Location	
Model #	Quantity
Specifier	

Description

Pendant made of aluminium and cork.
Direct light with acrylic diffuser.
Textile cable and adjustable height.



Pictures above might not show the specified dimensions or material. They are for illustration purposes only.

Ordering information

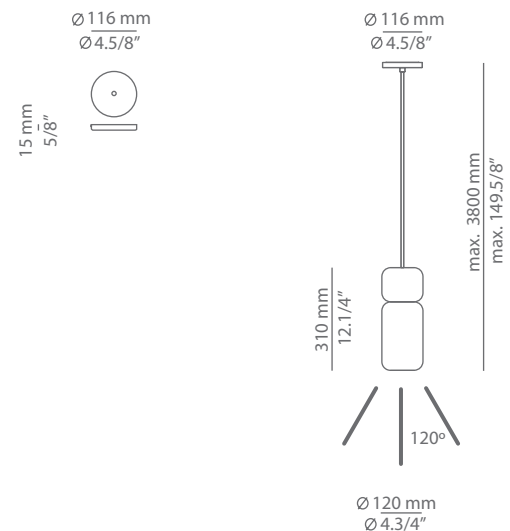
Code	Lamp
■ T-3555S	LED 10W (led included) (3000K / Ang 120° / >80 CRI) / 120V / Typ* 820 lumens Dimmable Triac

Canopy	
■ 26 BLK	Black
■ 71 WH	White

Finish	
■ 56 BLK	
■ 74 WH	Black
■ CUSTOM	White

Product includes

Code	Description
113416XX0	1 surface canopy for 1 single pedant
T-3555C	1 pila pendant with textile cable



SPECIAL REQUIREMENTS

Custom versions

We offer custom plated or RAL finishes.

Alternate lamping and sizes available for projects.

Standard compositions bellow, other compositions available with multiple canopies. Consult our offices.

Special instructions



ESTILUZ Inc. USA & CANADA
330 West 38th St. Suite 710
New York, NY 10018 USA
T+1 (646) 454 - 1285
F+1 (646) 454 - 1799

info@estiluzusa.com
www.estiluzusa.com

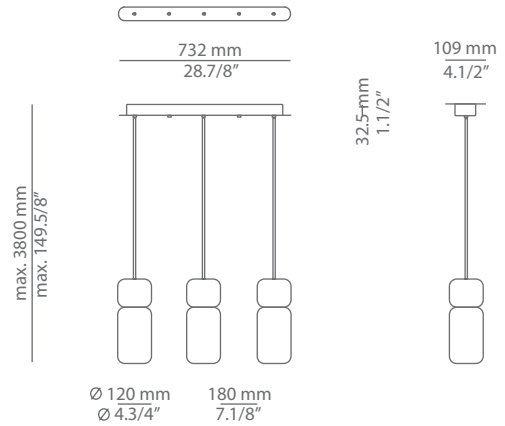
PILA T-3555

suspension lamp

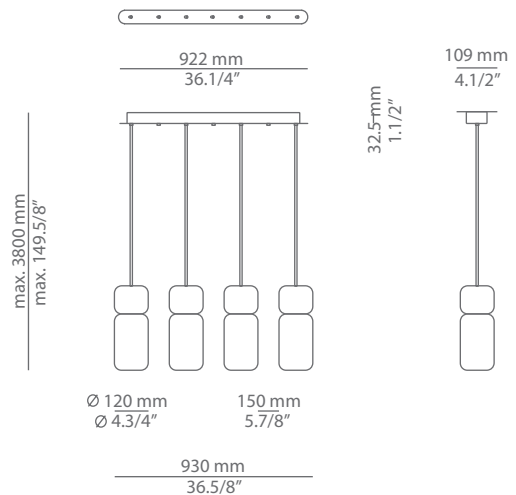
Date	Type
Project	
Location	
Model #	Quantity
Specifier	

Many possible configurations with T-3555C

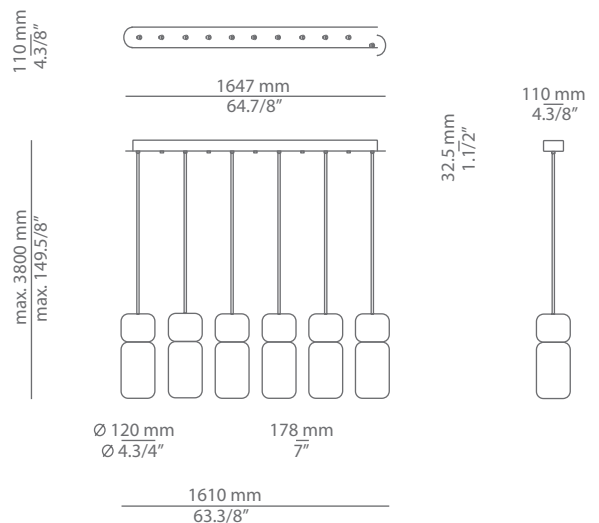
Code	Composition includes								
L735.3 pila	1 linear canopy 113415XX1U 3 units of T-3555C Add up to 2 additional Pila								
	<table border="0"> <tr> <th>Canopy</th> <th>Finish</th> </tr> <tr> <td>26 BLK Black</td> <td>56 BLK Black</td> </tr> <tr> <td>71 WH White</td> <td>74 WH White</td> </tr> <tr> <td></td> <td>CUSTOM</td> </tr> </table>	Canopy	Finish	26 BLK Black	56 BLK Black	71 WH White	74 WH White		CUSTOM
Canopy	Finish								
26 BLK Black	56 BLK Black								
71 WH White	74 WH White								
	CUSTOM								



Code	Composition includes								
L925.4 pila	1 linear canopy 113415XX3U 4 units of T-3555C Add up to 4 additional Pila								
	<table border="0"> <tr> <th>Canopy</th> <th>Finish</th> </tr> <tr> <td>26 BLK Black</td> <td>56 BLK Black</td> </tr> <tr> <td>71 WH White</td> <td>74 WH White</td> </tr> <tr> <td></td> <td>CUSTOM</td> </tr> </table>	Canopy	Finish	26 BLK Black	56 BLK Black	71 WH White	74 WH White		CUSTOM
Canopy	Finish								
26 BLK Black	56 BLK Black								
71 WH White	74 WH White								
	CUSTOM								



Code	Composition includes								
L1655.6 pila	1 linear canopy 113415XX7 6 units of T-3555C Add up to 5 additional Pila								
	<table border="0"> <tr> <th>Canopy</th> <th>Finish</th> </tr> <tr> <td>26 BLK Black</td> <td>56 BLK Black</td> </tr> <tr> <td>71 WH White</td> <td>74 WH White</td> </tr> <tr> <td></td> <td>CUSTOM</td> </tr> </table>	Canopy	Finish	26 BLK Black	56 BLK Black	71 WH White	74 WH White		CUSTOM
Canopy	Finish								
26 BLK Black	56 BLK Black								
71 WH White	74 WH White								
	CUSTOM								

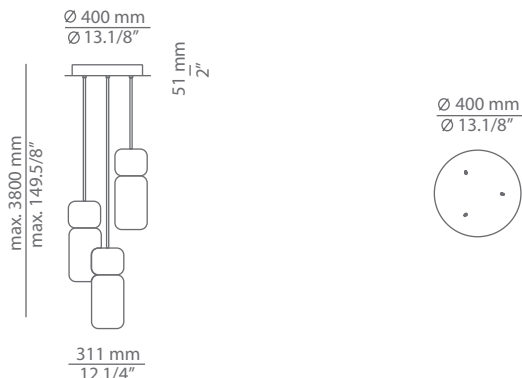


PILA T-3555

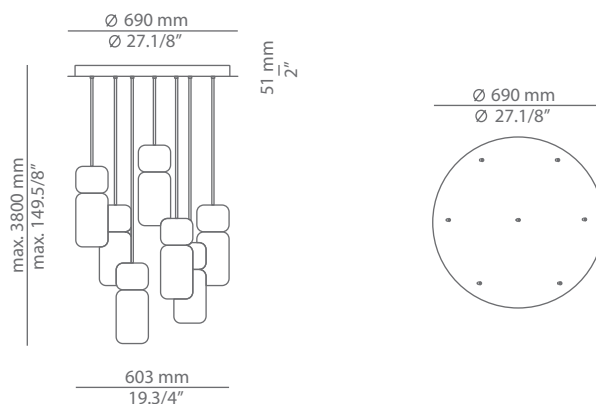
suspension lamp

Date	Type
Project	
Location	
Model #	Quantity
Specifier	

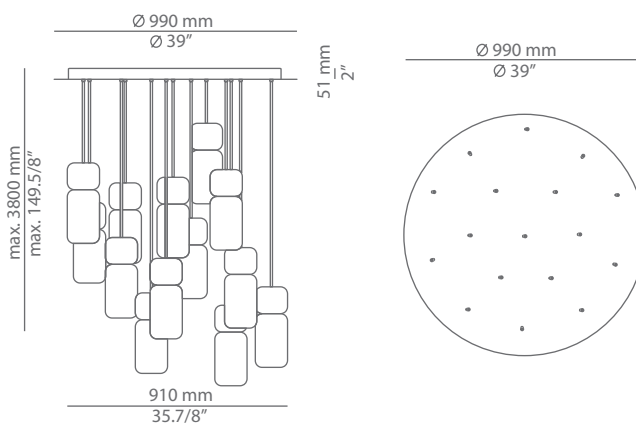
Code	Composition includes				
<div style="display: flex; align-items: center;"> <div style="width: 15px; height: 15px; background-color: #ccc; margin-right: 5px;"></div> <div> <p>R40S.3 pila</p> </div> </div>	<p>1 round canopy 113415XX6</p> <p>3 units of T-3555C</p> <table border="0" style="width: 100%;"> <tr> <td style="text-align: center;">Canopy</td> <td style="text-align: center;">Finish</td> </tr> <tr> <td> <div style="display: flex; align-items: center;"> <div style="width: 15px; height: 15px; background-color: #ccc; margin-right: 5px;"></div> <div>26 BLK Black</div> </div> <div style="display: flex; align-items: center; margin-top: 5px;"> <div style="width: 15px; height: 15px; background-color: #ccc; margin-right: 5px;"></div> <div>71 WH White</div> </div> </td> <td> <div style="display: flex; align-items: center;"> <div style="width: 15px; height: 15px; background-color: #ccc; margin-right: 5px;"></div> <div>56 BLK Black</div> </div> <div style="display: flex; align-items: center; margin-top: 5px;"> <div style="width: 15px; height: 15px; background-color: #ccc; margin-right: 5px;"></div> <div>74 WH White</div> </div> <div style="display: flex; align-items: center; margin-top: 5px;"> <div style="width: 15px; height: 15px; background-color: #ccc; margin-right: 5px;"></div> <div>CUSTOM</div> </div> </td> </tr> </table>	Canopy	Finish	<div style="display: flex; align-items: center;"> <div style="width: 15px; height: 15px; background-color: #ccc; margin-right: 5px;"></div> <div>26 BLK Black</div> </div> <div style="display: flex; align-items: center; margin-top: 5px;"> <div style="width: 15px; height: 15px; background-color: #ccc; margin-right: 5px;"></div> <div>71 WH White</div> </div>	<div style="display: flex; align-items: center;"> <div style="width: 15px; height: 15px; background-color: #ccc; margin-right: 5px;"></div> <div>56 BLK Black</div> </div> <div style="display: flex; align-items: center; margin-top: 5px;"> <div style="width: 15px; height: 15px; background-color: #ccc; margin-right: 5px;"></div> <div>74 WH White</div> </div> <div style="display: flex; align-items: center; margin-top: 5px;"> <div style="width: 15px; height: 15px; background-color: #ccc; margin-right: 5px;"></div> <div>CUSTOM</div> </div>
Canopy	Finish				
<div style="display: flex; align-items: center;"> <div style="width: 15px; height: 15px; background-color: #ccc; margin-right: 5px;"></div> <div>26 BLK Black</div> </div> <div style="display: flex; align-items: center; margin-top: 5px;"> <div style="width: 15px; height: 15px; background-color: #ccc; margin-right: 5px;"></div> <div>71 WH White</div> </div>	<div style="display: flex; align-items: center;"> <div style="width: 15px; height: 15px; background-color: #ccc; margin-right: 5px;"></div> <div>56 BLK Black</div> </div> <div style="display: flex; align-items: center; margin-top: 5px;"> <div style="width: 15px; height: 15px; background-color: #ccc; margin-right: 5px;"></div> <div>74 WH White</div> </div> <div style="display: flex; align-items: center; margin-top: 5px;"> <div style="width: 15px; height: 15px; background-color: #ccc; margin-right: 5px;"></div> <div>CUSTOM</div> </div>				



Code	Composition includes				
<div style="display: flex; align-items: center;"> <div style="width: 15px; height: 15px; background-color: #ccc; margin-right: 5px;"></div> <div> <p>R70S.7 pila</p> </div> </div>	<p>1 round canopy 113415XX4</p> <p>7 units of T-3555C</p> <table border="0" style="width: 100%;"> <tr> <td style="text-align: center;">Canopy</td> <td style="text-align: center;">Finish</td> </tr> <tr> <td> <div style="display: flex; align-items: center;"> <div style="width: 15px; height: 15px; background-color: #ccc; margin-right: 5px;"></div> <div>26 BLK Black</div> </div> <div style="display: flex; align-items: center; margin-top: 5px;"> <div style="width: 15px; height: 15px; background-color: #ccc; margin-right: 5px;"></div> <div>71 WH White</div> </div> </td> <td> <div style="display: flex; align-items: center;"> <div style="width: 15px; height: 15px; background-color: #ccc; margin-right: 5px;"></div> <div>56 BLK Black</div> </div> <div style="display: flex; align-items: center; margin-top: 5px;"> <div style="width: 15px; height: 15px; background-color: #ccc; margin-right: 5px;"></div> <div>74 WH White</div> </div> <div style="display: flex; align-items: center; margin-top: 5px;"> <div style="width: 15px; height: 15px; background-color: #ccc; margin-right: 5px;"></div> <div>CUSTOM</div> </div> </td> </tr> </table>	Canopy	Finish	<div style="display: flex; align-items: center;"> <div style="width: 15px; height: 15px; background-color: #ccc; margin-right: 5px;"></div> <div>26 BLK Black</div> </div> <div style="display: flex; align-items: center; margin-top: 5px;"> <div style="width: 15px; height: 15px; background-color: #ccc; margin-right: 5px;"></div> <div>71 WH White</div> </div>	<div style="display: flex; align-items: center;"> <div style="width: 15px; height: 15px; background-color: #ccc; margin-right: 5px;"></div> <div>56 BLK Black</div> </div> <div style="display: flex; align-items: center; margin-top: 5px;"> <div style="width: 15px; height: 15px; background-color: #ccc; margin-right: 5px;"></div> <div>74 WH White</div> </div> <div style="display: flex; align-items: center; margin-top: 5px;"> <div style="width: 15px; height: 15px; background-color: #ccc; margin-right: 5px;"></div> <div>CUSTOM</div> </div>
Canopy	Finish				
<div style="display: flex; align-items: center;"> <div style="width: 15px; height: 15px; background-color: #ccc; margin-right: 5px;"></div> <div>26 BLK Black</div> </div> <div style="display: flex; align-items: center; margin-top: 5px;"> <div style="width: 15px; height: 15px; background-color: #ccc; margin-right: 5px;"></div> <div>71 WH White</div> </div>	<div style="display: flex; align-items: center;"> <div style="width: 15px; height: 15px; background-color: #ccc; margin-right: 5px;"></div> <div>56 BLK Black</div> </div> <div style="display: flex; align-items: center; margin-top: 5px;"> <div style="width: 15px; height: 15px; background-color: #ccc; margin-right: 5px;"></div> <div>74 WH White</div> </div> <div style="display: flex; align-items: center; margin-top: 5px;"> <div style="width: 15px; height: 15px; background-color: #ccc; margin-right: 5px;"></div> <div>CUSTOM</div> </div>				



Code	Composition includes				
<div style="display: flex; align-items: center;"> <div style="width: 15px; height: 15px; background-color: #ccc; margin-right: 5px;"></div> <div> <p>R100S.13 pila</p> </div> </div>	<p>1 round canopy 113415XX5</p> <p>13 units of T-3555C</p> <p>Add up to 4 additional Pila</p> <table border="0" style="width: 100%;"> <tr> <td style="text-align: center;">Canopy</td> <td style="text-align: center;">Finish</td> </tr> <tr> <td> <div style="display: flex; align-items: center;"> <div style="width: 15px; height: 15px; background-color: #ccc; margin-right: 5px;"></div> <div>26 BLK Black</div> </div> <div style="display: flex; align-items: center; margin-top: 5px;"> <div style="width: 15px; height: 15px; background-color: #ccc; margin-right: 5px;"></div> <div>71 WH White</div> </div> </td> <td> <div style="display: flex; align-items: center;"> <div style="width: 15px; height: 15px; background-color: #ccc; margin-right: 5px;"></div> <div>56 BLK Black</div> </div> <div style="display: flex; align-items: center; margin-top: 5px;"> <div style="width: 15px; height: 15px; background-color: #ccc; margin-right: 5px;"></div> <div>74 WH White</div> </div> <div style="display: flex; align-items: center; margin-top: 5px;"> <div style="width: 15px; height: 15px; background-color: #ccc; margin-right: 5px;"></div> <div>CUSTOM</div> </div> </td> </tr> </table>	Canopy	Finish	<div style="display: flex; align-items: center;"> <div style="width: 15px; height: 15px; background-color: #ccc; margin-right: 5px;"></div> <div>26 BLK Black</div> </div> <div style="display: flex; align-items: center; margin-top: 5px;"> <div style="width: 15px; height: 15px; background-color: #ccc; margin-right: 5px;"></div> <div>71 WH White</div> </div>	<div style="display: flex; align-items: center;"> <div style="width: 15px; height: 15px; background-color: #ccc; margin-right: 5px;"></div> <div>56 BLK Black</div> </div> <div style="display: flex; align-items: center; margin-top: 5px;"> <div style="width: 15px; height: 15px; background-color: #ccc; margin-right: 5px;"></div> <div>74 WH White</div> </div> <div style="display: flex; align-items: center; margin-top: 5px;"> <div style="width: 15px; height: 15px; background-color: #ccc; margin-right: 5px;"></div> <div>CUSTOM</div> </div>
Canopy	Finish				
<div style="display: flex; align-items: center;"> <div style="width: 15px; height: 15px; background-color: #ccc; margin-right: 5px;"></div> <div>26 BLK Black</div> </div> <div style="display: flex; align-items: center; margin-top: 5px;"> <div style="width: 15px; height: 15px; background-color: #ccc; margin-right: 5px;"></div> <div>71 WH White</div> </div>	<div style="display: flex; align-items: center;"> <div style="width: 15px; height: 15px; background-color: #ccc; margin-right: 5px;"></div> <div>56 BLK Black</div> </div> <div style="display: flex; align-items: center; margin-top: 5px;"> <div style="width: 15px; height: 15px; background-color: #ccc; margin-right: 5px;"></div> <div>74 WH White</div> </div> <div style="display: flex; align-items: center; margin-top: 5px;"> <div style="width: 15px; height: 15px; background-color: #ccc; margin-right: 5px;"></div> <div>CUSTOM</div> </div>				



Code	Composition includes				
<div style="display: flex; align-items: center;"> <div style="width: 15px; height: 15px; background-color: #ccc; margin-right: 5px;"></div> <div> <p>M5S pila</p> </div> </div>	<p>1 multipoint canopy 113415XX2</p> <p>5 units of T-3555C</p> <p>5 ceiling holders</p> <p>Add up to 2 additional Pila</p> <table border="0" style="width: 100%;"> <tr> <td style="text-align: center;">Canopy</td> <td style="text-align: center;">Finish</td> </tr> <tr> <td> <div style="display: flex; align-items: center;"> <div style="width: 15px; height: 15px; background-color: #ccc; margin-right: 5px;"></div> <div>26 BLK Black</div> </div> <div style="display: flex; align-items: center; margin-top: 5px;"> <div style="width: 15px; height: 15px; background-color: #ccc; margin-right: 5px;"></div> <div>71 WH White</div> </div> </td> <td> <div style="display: flex; align-items: center;"> <div style="width: 15px; height: 15px; background-color: #ccc; margin-right: 5px;"></div> <div>56 BLK Black</div> </div> <div style="display: flex; align-items: center; margin-top: 5px;"> <div style="width: 15px; height: 15px; background-color: #ccc; margin-right: 5px;"></div> <div>74 WH White</div> </div> <div style="display: flex; align-items: center; margin-top: 5px;"> <div style="width: 15px; height: 15px; background-color: #ccc; margin-right: 5px;"></div> <div>CUSTOM</div> </div> </td> </tr> </table>	Canopy	Finish	<div style="display: flex; align-items: center;"> <div style="width: 15px; height: 15px; background-color: #ccc; margin-right: 5px;"></div> <div>26 BLK Black</div> </div> <div style="display: flex; align-items: center; margin-top: 5px;"> <div style="width: 15px; height: 15px; background-color: #ccc; margin-right: 5px;"></div> <div>71 WH White</div> </div>	<div style="display: flex; align-items: center;"> <div style="width: 15px; height: 15px; background-color: #ccc; margin-right: 5px;"></div> <div>56 BLK Black</div> </div> <div style="display: flex; align-items: center; margin-top: 5px;"> <div style="width: 15px; height: 15px; background-color: #ccc; margin-right: 5px;"></div> <div>74 WH White</div> </div> <div style="display: flex; align-items: center; margin-top: 5px;"> <div style="width: 15px; height: 15px; background-color: #ccc; margin-right: 5px;"></div> <div>CUSTOM</div> </div>
Canopy	Finish				
<div style="display: flex; align-items: center;"> <div style="width: 15px; height: 15px; background-color: #ccc; margin-right: 5px;"></div> <div>26 BLK Black</div> </div> <div style="display: flex; align-items: center; margin-top: 5px;"> <div style="width: 15px; height: 15px; background-color: #ccc; margin-right: 5px;"></div> <div>71 WH White</div> </div>	<div style="display: flex; align-items: center;"> <div style="width: 15px; height: 15px; background-color: #ccc; margin-right: 5px;"></div> <div>56 BLK Black</div> </div> <div style="display: flex; align-items: center; margin-top: 5px;"> <div style="width: 15px; height: 15px; background-color: #ccc; margin-right: 5px;"></div> <div>74 WH White</div> </div> <div style="display: flex; align-items: center; margin-top: 5px;"> <div style="width: 15px; height: 15px; background-color: #ccc; margin-right: 5px;"></div> <div>CUSTOM</div> </div>				

