

VOLTA T-3534S

surface suspension lamp

Date	Type
Project	
Location	
Model #	Quantity
Specifier	

Description

Suspension lamp with a curved metallic body, cylindrical aluminium heads and acrylic (PMMA) lens diffusers.
Adjustable height.
Possibility to create different compositions (see page 3).



Pictures above might not show the specified dimensions or material. They are for illustration purposes only.

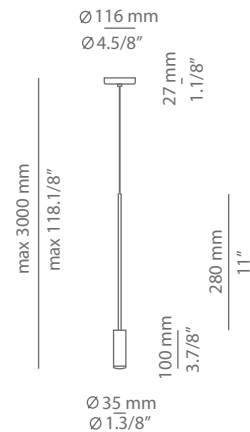


Ordering information

Code	Lamp	Canopy	Finish body	Finish head
■ T-3534S-W	LED 6.1W (led included) (2700K / Ang 45° / >90 CRI / 350mA) / 120V Typ* 565 lumens / Non dimmable (dimmable upon request)	■ 26 BLK Black ■ 71 WH White	■ 26 BLK Black ■ CUSTOM	■ 26 BLK Black ■ 61 S GLD Satin Gold ■ CUSTOM
■ T-3534S-M	LED 6.1W (led included) (3000K / Ang 45° / >90 CRI / 350mA) / 120V Typ* 578 lumens / Non dimmable (dimmable upon request)	■ 26 BLK Black ■ 71 WH White	■ 26 BLK Black ■ CUSTOM	■ 26 BLK Black ■ 61 S GLD Satin Gold ■ CUSTOM

Product includes

Code	Description
113534XX0U	1 surface canopy for 1 single pedant
T-3534C	1 Volta pendant
671000038	1 driver / Non dimmable



SPECIAL REQUIREMENTS

Custom versions

We offer custom plated or RAL finishes. Alternate lamping and sizes available for projects. Consult our offices.

Special instructions



ESTILUZ Inc. USA & CANADA
330 West 38th St. Suite 710
New York, NY 10018 USA
T+1 (646) 454 - 1285
F+1 (646) 454 - 1799

info@estiluzusa.com
www.estiluzusa.com

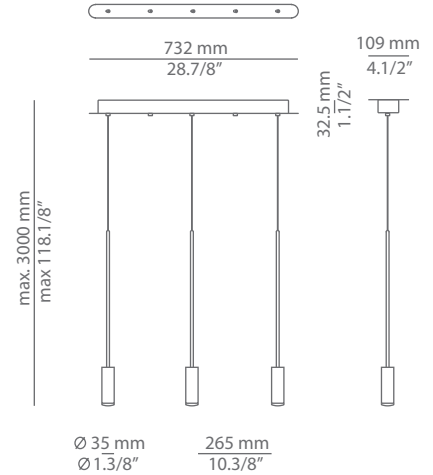
VOLTA T-3534C

linear compositions

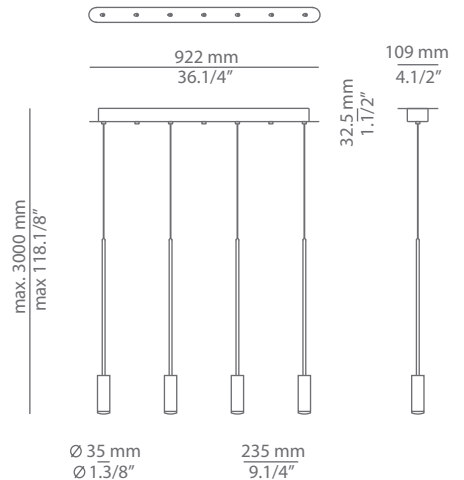
Date	Type
Project	
Location	
Model #	Quantity
Specifier	

Many possible configurations with T-3534C

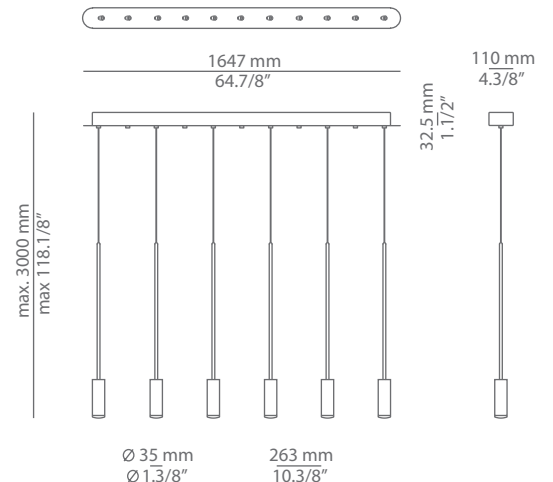
Code	Composition includes	Temperature						
■ L73.3S	<ul style="list-style-type: none"> 1 linear canopy 113415XX1U 3 units of T-3534C 3 drivers 671000051 / Dimmable Triac Add up to 2 additional Volta 	<ul style="list-style-type: none"> T-3534C-W (2700K / 565 lumens) T-3534C-M (3000K / 578 lumens) 						
	<table border="1"> <tr> <th>Canopy</th> <th>Body</th> <th>Head</th> </tr> <tr> <td> <ul style="list-style-type: none"> 26 BLK Black 71 WH White </td> <td> <ul style="list-style-type: none"> 26 BLK Black CUSTOM </td> <td> <ul style="list-style-type: none"> 26 BLK Black 61 S GLD Satin Gold CUSTOM </td> </tr> </table>	Canopy	Body	Head	<ul style="list-style-type: none"> 26 BLK Black 71 WH White 	<ul style="list-style-type: none"> 26 BLK Black CUSTOM 	<ul style="list-style-type: none"> 26 BLK Black 61 S GLD Satin Gold CUSTOM 	
Canopy	Body	Head						
<ul style="list-style-type: none"> 26 BLK Black 71 WH White 	<ul style="list-style-type: none"> 26 BLK Black CUSTOM 	<ul style="list-style-type: none"> 26 BLK Black 61 S GLD Satin Gold CUSTOM 						



Code	Composition includes	Temperature						
■ L92.4S	<ul style="list-style-type: none"> 1 linear canopy 113415XX3U 4 units of T-3534C 4 drivers 671000051 / Dimmable Triac Add up to 3 additional Volta 	<ul style="list-style-type: none"> T-3534C-W (2700K / 565 lumens) T-3534C-M (3000K / 578 lumens) 						
	<table border="1"> <tr> <th>Canopy</th> <th>Body</th> <th>Head</th> </tr> <tr> <td> <ul style="list-style-type: none"> 26 BLK Black 71 WH White </td> <td> <ul style="list-style-type: none"> 26 BLK Black CUSTOM </td> <td> <ul style="list-style-type: none"> 26 BLK Black 61 S GLD Satin Gold CUSTOM </td> </tr> </table>	Canopy	Body	Head	<ul style="list-style-type: none"> 26 BLK Black 71 WH White 	<ul style="list-style-type: none"> 26 BLK Black CUSTOM 	<ul style="list-style-type: none"> 26 BLK Black 61 S GLD Satin Gold CUSTOM 	
Canopy	Body	Head						
<ul style="list-style-type: none"> 26 BLK Black 71 WH White 	<ul style="list-style-type: none"> 26 BLK Black CUSTOM 	<ul style="list-style-type: none"> 26 BLK Black 61 S GLD Satin Gold CUSTOM 						



Code	Composition includes	Temperature						
■ L165.6S	<ul style="list-style-type: none"> 1 linear canopy 113415XX7 6 units of T-3534C 6 drivers 671000051 / Dimmable Triac Add additional Volta up to 5 	<ul style="list-style-type: none"> T-3534C-W (2700K / 565 lumens) T-3534C-M (3000K / 578 lumens) 						
	<table border="1"> <tr> <th>Canopy</th> <th>Body</th> <th>Head</th> </tr> <tr> <td> <ul style="list-style-type: none"> 26 BLK Black 71 WH White </td> <td> <ul style="list-style-type: none"> 26 BLK Black CUSTOM </td> <td> <ul style="list-style-type: none"> 26 BLK Black 61 S GLD Satin Gold CUSTOM </td> </tr> </table>	Canopy	Body	Head	<ul style="list-style-type: none"> 26 BLK Black 71 WH White 	<ul style="list-style-type: none"> 26 BLK Black CUSTOM 	<ul style="list-style-type: none"> 26 BLK Black 61 S GLD Satin Gold CUSTOM 	
Canopy	Body	Head						
<ul style="list-style-type: none"> 26 BLK Black 71 WH White 	<ul style="list-style-type: none"> 26 BLK Black CUSTOM 	<ul style="list-style-type: none"> 26 BLK Black 61 S GLD Satin Gold CUSTOM 						

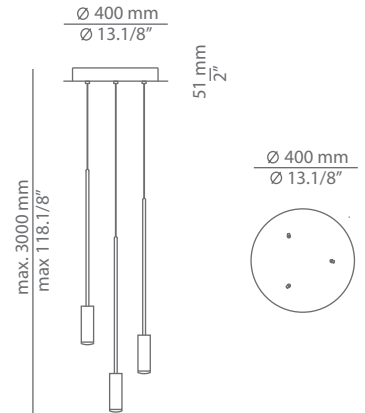


VOLTA T-3534C

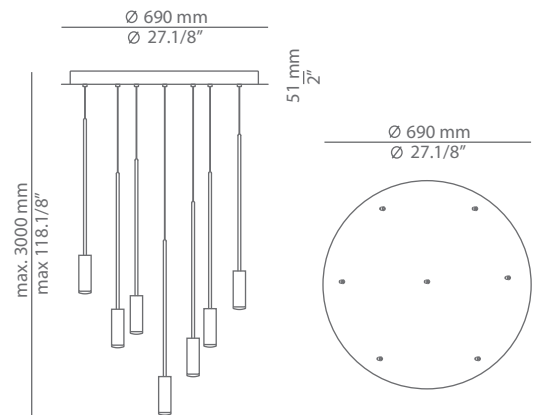
round compositions

Date	Type
Project	
Location	
Model #	Quantity
Specifier	

Code	Composition includes	Temperature												
R40.3S	<ul style="list-style-type: none"> 1 round canopy 113415XX6 3 units of T-3534C 3 drivers 671000051 / Dimmable Triac 	<ul style="list-style-type: none"> T-3534C-W (2700K / 565 lumens) T-3534C-M (3000K / 578 lumens) 												
	<table border="1"> <thead> <tr> <th>Canopy</th> <th>Body</th> <th>Head</th> </tr> </thead> <tbody> <tr> <td>26 BLK Black</td> <td>26 BLK Black</td> <td>26 BLK Black</td> </tr> <tr> <td>71 WH White</td> <td>CUSTOM</td> <td>61 S GLD Satin Gold</td> </tr> <tr> <td></td> <td></td> <td>CUSTOM</td> </tr> </tbody> </table>	Canopy	Body	Head	26 BLK Black	26 BLK Black	26 BLK Black	71 WH White	CUSTOM	61 S GLD Satin Gold			CUSTOM	
Canopy	Body	Head												
26 BLK Black	26 BLK Black	26 BLK Black												
71 WH White	CUSTOM	61 S GLD Satin Gold												
		CUSTOM												



Code	Composition includes	Temperature												
R70.7S	<ul style="list-style-type: none"> 1 round canopy 113415XX4 7 units of T-3534C 7 drivers 671000051 / Dimmable Triac 	<ul style="list-style-type: none"> T-3534C-W (2700K / 565 lumens) T-3534C-M (3000K / 578 lumens) 												
	<table border="1"> <thead> <tr> <th>Canopy</th> <th>Body</th> <th>Head</th> </tr> </thead> <tbody> <tr> <td>26 BLK Black</td> <td>26 BLK Black</td> <td>26 BLK Black</td> </tr> <tr> <td>71 WH White</td> <td>CUSTOM</td> <td>61 S GLD Satin Gold</td> </tr> <tr> <td></td> <td></td> <td>CUSTOM</td> </tr> </tbody> </table>	Canopy	Body	Head	26 BLK Black	26 BLK Black	26 BLK Black	71 WH White	CUSTOM	61 S GLD Satin Gold			CUSTOM	
Canopy	Body	Head												
26 BLK Black	26 BLK Black	26 BLK Black												
71 WH White	CUSTOM	61 S GLD Satin Gold												
		CUSTOM												



Code	Composition includes	Temperature												
R100.17S	<ul style="list-style-type: none"> 1 round canopy 113415XX5 17 units of T-3534C 17 drivers 671000051 / Dimmable Triac 	<ul style="list-style-type: none"> T-3534C-W (2700K / 565 lumens) T-3534C-M (3000K / 578 lumens) 												
	<table border="1"> <thead> <tr> <th>Canopy</th> <th>Body</th> <th>Head</th> </tr> </thead> <tbody> <tr> <td>26 BLK Black</td> <td>26 BLK Black</td> <td>26 BLK Black</td> </tr> <tr> <td>71 WH White</td> <td>CUSTOM</td> <td>61 S GLD Satin Gold</td> </tr> <tr> <td></td> <td></td> <td>CUSTOM</td> </tr> </tbody> </table>	Canopy	Body	Head	26 BLK Black	26 BLK Black	26 BLK Black	71 WH White	CUSTOM	61 S GLD Satin Gold			CUSTOM	
Canopy	Body	Head												
26 BLK Black	26 BLK Black	26 BLK Black												
71 WH White	CUSTOM	61 S GLD Satin Gold												
		CUSTOM												

